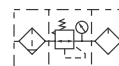


## »GA-mini« Series

GAFRL 05, GAFRL 06

Symbol



### Product features

Three-piece service units consisting of a diaphragm pressure regulator, independent of inlet pressure, with self-relieving design, combined with a centrifugal separator and a proportional lubricator.

### Specifications / Technical data

Type	Size 200		
	GAFRL 05	GAFRL 06	
Fluid	Air		
Port size	1/8"	1/4"	
Filtering grade	5 µm (40 µm on request)		
Pressure range	1.5 to 9 bar (0.15 to 0.9 MPa, 20 to 130 psi)		
Inlet pressure max.	10 bar (1.0 MPa, 145 psi)		
Temperature range	-5 to 70 °C		
Capacity of drain bowl	18 cm <sup>3</sup>		
Capacity of oil bowl	24 cm <sup>3</sup>		
Recommended lubricant	Mineral oil, viscosity 32 cSt, acc. to DIN 51524 - ISO VG 32		
Weight	638 g		
Constitute	Filter	<b>GAF 05</b>	<b>GAF 06</b>
	Regulator	<b>GAR 05</b>	<b>GAR 06</b>
	Lubricator	<b>GAL 05</b>	<b>GAL 06</b>

### Ordering information

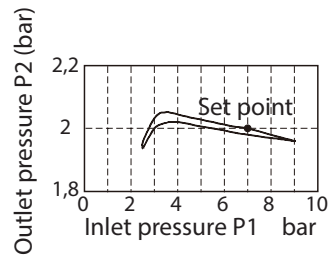
Type	description
GAFRL 05, GAFRL 06	Service units, 3-piece with polycarbonate bowl and joiner for wall mounting, semi-automatic drain valve

## »GA-mini« Series

GAFRL 05, GAFRL 06

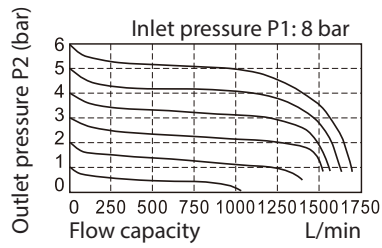
### Pressure chart

GAFRL 05, GAFRL 06



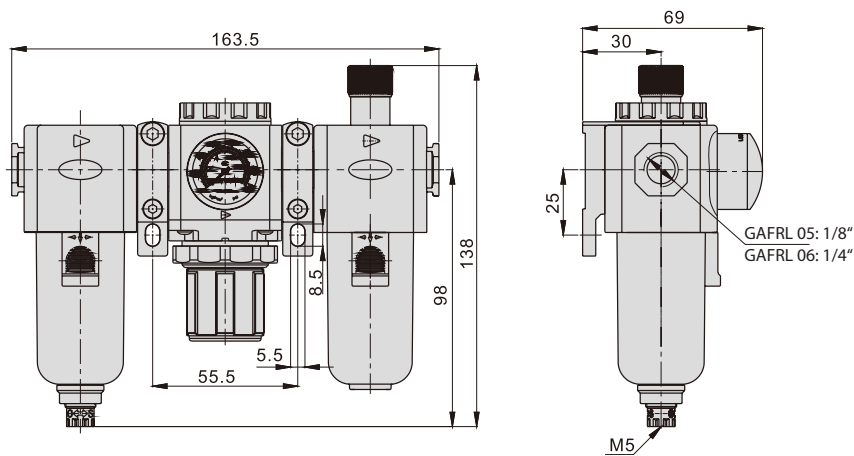
### Flow chart

GAFRL 05, GAFRL 06



### Body dimensions

GAFRL 05, GAFRL 06

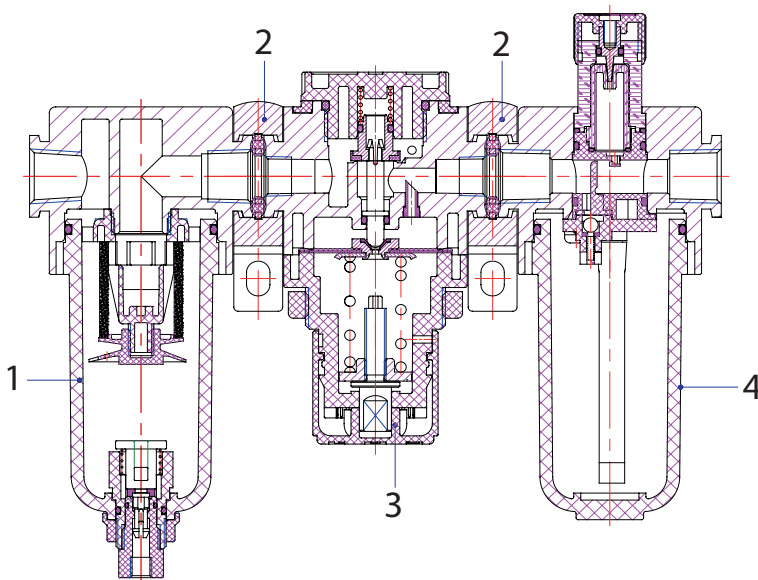


## »GA-mini« Series

GAFRL 05, GAFRL 06

### Components and materials






No.	Item	Material (body)
1	G series filter	Aluminium alloy
2	Bracket	Aluminium alloy
3	G series regulator	Aluminium alloy
4	G series lubricator	Aluminium alloy



## »GA-mini« Series

GAFRL 05, GAFRL 06

### Accessoires

	Art. No.	Type	description
no image available	179140	GAR 05 120	Adapter plate for mounting standard pressure gauges
	101672	110.46-KD	Standard pressure gauges
	179145	GAF 05 400	Filter element 5 µm
	116612	UB 200	Joiner without wall mounting
	116515	LB 200	Joiner with wall mounting, 1 drilled hole
	116608	TB 200	Joiner with wall mounting, 2 drilled holes