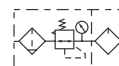


»GA-mini« Series

GACL 05, GACL 06

Symbol


Product features

Two-piece service units consisting of a diaphragm pressure regulator, independent of inlet pressure, with self-relieving design, combined with a centrifugal separator and a proportional lubricator.

Specifications / Technical data

Type	Size 200		
	GACL 05	GACL 06	
Fluid	Air		
Port size	1/8"	1/4"	
Filtering grade	5 µm (40 µm on request)		
Pressure range	1.5 to 9 bar (0.15 to 0.9 MPa, 20 to 130 psi)		
Inlet pressure max.	10 bar (1.0 MPa, 145 psi)		
Temperature range	-5 to 70 °C		
Capacity of drain bowl	18 cm ³		
Capacity of oil bowl	24 cm ³		
Recommended lubricant	Mineral oil, viscosity 32 cSt, acc. to DIN 51524 - ISO VG 32		
Weight	475 g		
Constitute	Filter-regulator	GAC 05	GAC 06
	Lubricator	GAL 05	GAL 06

Ordering information

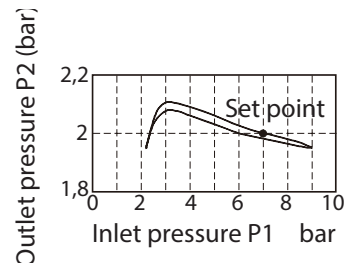
Type	description
GACL 05, GACL 06	Service units, 2-piece with polycarbonate bowl and joiner for wall mounting, semi-automatic drain valve

»GA-mini« Series

GACL 05, GACL 06

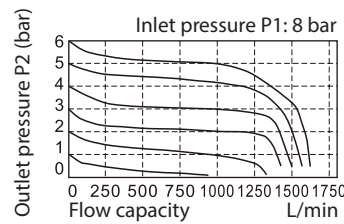
Pressure chart

GACL 05, GACL 06



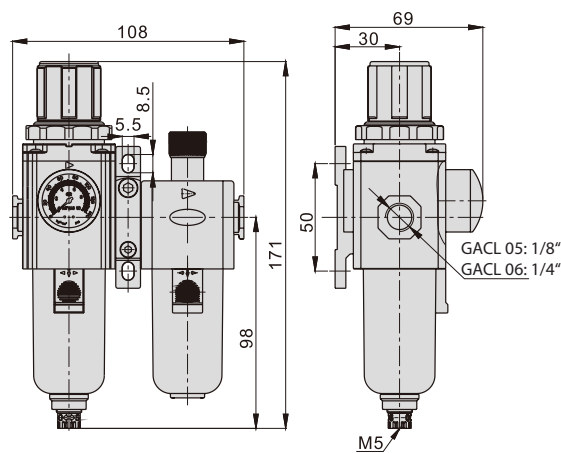
Flow chart

GACL 05, GACL 06



Body dimensions

GACL 05, GACL 06

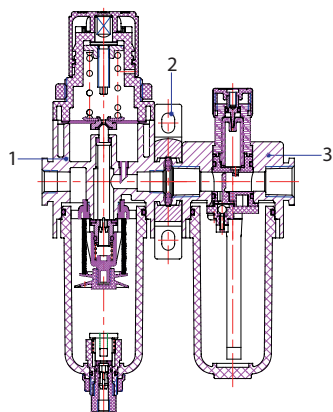


»GA-mini« Series

GACL 05, GACL 06






Components and materials

GACL 05, GACL 06



No.	Item	Material (body)
1	G series filter-regulator	Aluminium alloy
2	Bracket	Aluminium alloy
3	G series lubricator	Aluminium alloy

Accessories

	Art. No.	Type	description
no image available	179140	GAR 05 120	Adapter plate for mounting standard pressure gauges
	101672	110.46-KD	Standard pressure gauges
	179145	GAF 05 400	Filter element 5 µm
	116612	UB 200	Joiner without wall mounting
	116515	LB 200	Joiner with wall mounting, 1 drilled hole
	116608	TB 200	Joiner with wall mounting, 2 drilled holes