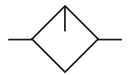




»G-mini« Series

GL 05, GL 06

Symbol



Product features

Proportional lubricators, oil can be filled under pressure.

Specifications / Technical data

Art. No.	Size 200	
	GL 05	GL 06
Fluid	Air	
Port size	1/8"	1/4"
Pressure range	0.5 to 9 bar (0.05 to 0.9 MPa, 7 to 130 psi)	
Proof pressure	15 bar (1.5 MPa, 215 psi)	
Temperature range	-20 to 70 °C	
Capacity of oil bowl	25 cm ³	
Weight	130 g	
Drop rate at qv = 1000 l/min	1 to 2 drops/min (recommended value)	
Oil grade	Mineral oil, viscosity 32 cSt, acc. to DIN 51524 - ISO VG 32	

Ordering information

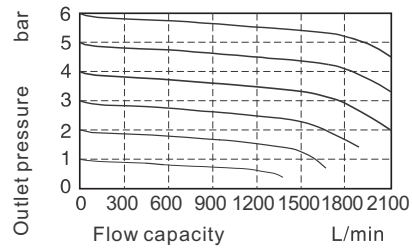
Art. No.	Type
GL 05, GL 06	Oil-mist lubricators with polycarbonate bowl and »HW« mounting bracket

»G-mini« Series

GL 05, GL 06

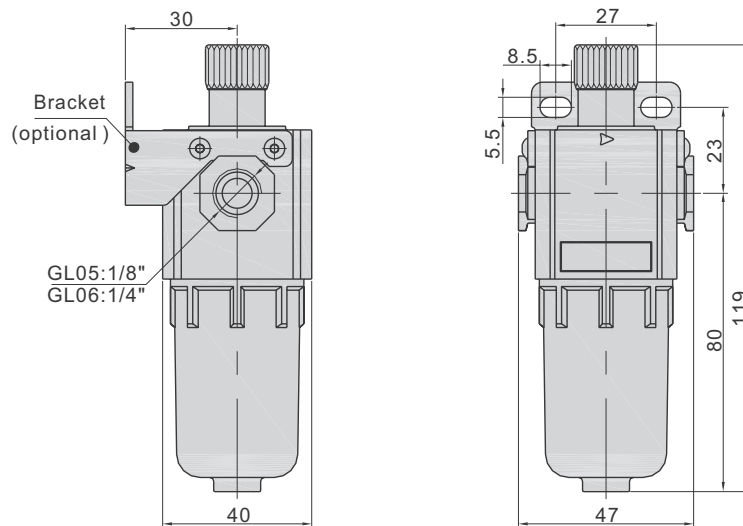
Flow chart

GL 05, GL 06



Body dimensions

GL 05, GL 06

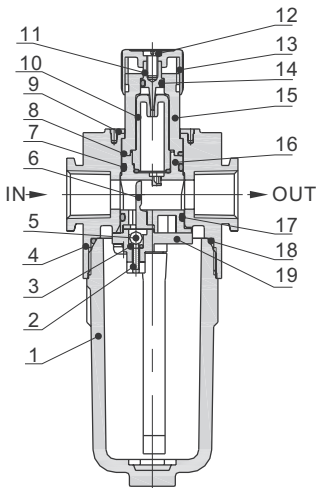


»G-mini« Series

GL 05, GL 06






Components and materials

GL 05, GL 06



No.	Item	Material
1	Oil Bowl	PC
2	Adjusting spring	Stainless steel
3	O-ring	NBR
4	Body of lubricator	Aluminum alloy
5	Steel ball	Stainless steel
6	Distance block	PU
7	O-ring	NBR
8	O-ring	NBR
9	Indicating ring	POM
10	Drop pipe	PC
11	Ejector pin	Brass
12	Screw	Brass
13	Adjusting ring	POM
14	O-ring	NBR
15	Bowl	PC
16	Sprayer body	PA66
17	O-ring	NBR
18	O-ring	NBR
19	Sprayer bottom cap	POM

Accessories

	Art. No.	Type
	GL 05 200	Polycarbonate bowl for oil-mist lubricators
	HW 201	Mounting bracket, incl. 4 screws
	UB 200	Joiner without wall mounting
	LB 200	Joiner with wall mounting, 1 drilled hole
	TB 200	Joiner with wall mounting, 2 drilled holes