



**Pressure reducer
for drinking water**

100.11 to 100.16

R 1/2 to R 2

**High-pressure type
1.5 to 12 bar**

Characteristics

Order No.	100.11	100.12	100.13
Thread	R 1/2	R 3/4	R 1
Order No.	100.14	100.15	100.16
Thread	R 1 1/4	R 1 1/2	R 2
Pressure gauge port	G 1/4		
Type of construction	Diaphragm pressure regulator with pressure-reduced single-seated valve		
Medium	Water, non-corrosive liquids Compressed air, nitrogen		
Control range p ₂	1.5 to 12 bar		
Mounting position	Horizontal, strainer cup at bottom Please heed the installation instructions contained in the installation and operating manual		
Max. input pressure p ₁	25 bar, brass strainer cup		
Mounting type	Horizontal in-line		
Operating temperature	Max. 70 °C, brass strainer cup		
Min. pressure drop Δp	1 bar		

Description

- Pressure gauge port on both sides: G 1/4
- Adjusting knob for the outlet pressure
- Screw fittings and pressure gauge Ø63 included
- Valve insert made of high-quality plastic, replacement without dismantling
- Integrated fine screen, mesh size 0.16 mm
- Brass strainer cup
- Independent of inlet pressure, inlet pressure variations have no influence on the outlet pressure
- No contact between the adjustment spring and the drinking water
- No need to remove the pressure reducer from the pipe for maintenance and repair
- Meets German KTW specifications
- Lightweight design
- Converts easily to a back-flushing filter combination
- Can be retrofitted with an upstream non-return valve
- Reliable and proven

Materials

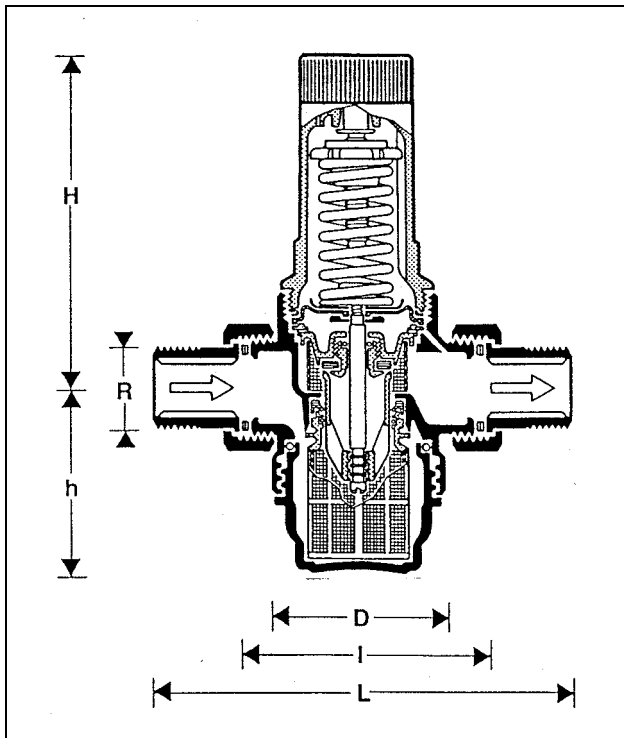
Part	Material
Body	Brass
Intermediate ring	Brass
Screw fittings	Brass
Valve insert	High-quality plastic
Fine screen	Stainless steel
Spring bonnet with adjusting knob	High-quality plastic
Strainer cup	Brass
Diaphragm	NBR, braided
Seals	NBR
Adjustment spring	Spring steel

Applications

The pressure reducers in the 100... series protect domestic water installations against high supply pressure. They can also be used for commercial or industrial purposes providing their specification is adequate.

Using a pressure reducer prevents pressure damage and reduces water consumption. The set pressure remains constant, even if the inlet pressures vary significantly. By reducing the operating pressure and maintaining it at a constant level, it is possible to keep undesirable flow noises in the installation to a minimum.

Dimensions [mm]



Installation

- The pressure reducer should preferably be installed in a horizontal pipe with the strainer cup at the bottom
 - This mounting position facilitates cleaning
- Shut-off valves must be provided
 - Shut-off valves allow the pressure reducer to be maintained and repaired without being removed from the pipe
- Ensure easy accessibility
 - The pressure gauge must be clearly visible
 - Maintenance and inspection are simplified
- Install downstream of the fine filter
 - The pressure reducer is optimally protected against dirt
- A settling section equivalent to at least 5 x DN is recommended downstream of the pressure reducer (DIN 1988, Part 5)

Minimum clearance between wall and centre of pipe

Thread	R	1/2	3/4	1	1¼	1½	2
	[mm]	55	55	60	60	70	70

Thread	R	1/2	3/4	1	1¼	1½	2
Nominal diameter	DN	15	20	25	32	40	50
Weight	approx. [g]	800	1000	2200	2400	3400	5100
Dimensions	[mm]						
	L	140	160	180	200	225	255
	l	80	90	100	105	130	140
	H	96	96	140	140	172	172
	h	56	56	77	77	113	113
D		54	54	72	72	82	82
Kvs value		2.4	3.1	7.6	9.1	12.6	12.0
Peak flow, water (m³/h)							
acc. to DIN 1988, Part 5							
Residential buildings		1.8	2.9	4.7	7.2	8.3	13
Commercial buildings		1.8	3.3	5.4	8.6	13.7	21.2

Main spare parts

Thread	Valve replacement kit	Replacement strainer	Part		Pressure gauge
			Strainer cup		
			Transparent	Brass	
R ½ + R ¾	100/201	100/221		100/261	218-KD
R 1 + R 1¼	100/202	100/222	--	100/262	
R 1½ + R 2	100/203	100/223		100/263	

Flow rates

Water	Air
$Kvs \times \sqrt{p_1 - p_2}$	See nomogram Page 2-26

Maintenance

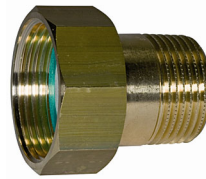
	Activity	Interval	Responsible
Inspection	Visual inspection of the output pressure setting on the pressure gauge at zero and peak flow (high draw-off quantity)	Once every year	Owner or plumbing firm
Maint- enance	Clean the screen and if necessary replace If the output pressure setting does not yield a constant value at zero flow, the valve insert must be removed, inspected and if necessary replaced	Once every 1 to 3 years, depending on local operating conditions	Plumbing firm

Accessories

Designation	Order No.
Double ring spanner - For threads R 1/2 to R 1 R 1¼ to R 2 Wearing part set consisting of: 2x cap nuts, 2x screw fittings, 2x sealing rings	ZR 06 B ZR 06 A See chart



ZR 06 A



VST06-1A

Order No.	a/f	Seal outside Ø	Length	Thread
VST06-1/2A	30 mm	24 mm	28 mm	1/2"
VST06-3/4A	37 mm	30 mm	32 mm	3/4"
VST06-1A	46 mm	38,5 mm	38 mm	1"
VST06-1 1/4A	52 mm	44 mm	44 mm	1 1/4"
VST06-1 1/2A	64 mm	57 mm	47,5 mm	1 1/2"
VST06-2A	84 mm	70,5 mm	58 mm	2"