



FU 7608

Precision pressure regulator

For mounting side by side
Continuous pressure supply

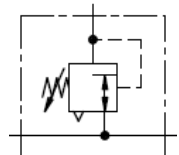
Size 1

FU 7601 to FU 7716

G 1/4

G 3/8

0.1 to 1.0 bar
0.1 to 2.0 bar
0.2 to 4.0 bar
0.5 to 8.0 bar
0.5 to 10.0 bar
0.5 to 16.0 bar



Description

Precision pressure regulator in the "*Futura*" series.

Precision pressure regulators facilitate a very fine pressure setting in applications requiring an accurate working pressure.

By assembling two or more regulators together, it is possible to supply several working air circuits with **different pressures** via a **single** supply line.

Air can be supplied on both sides (left or right-hand inlet).

The regulators should only be used with micro-filtered media (filter rating 0.01 µm).

Characteristics

Type	FU 7601 to FU 7616	FU 7701 to FU 7716
Port (thread)	G 1/4	G 3/8
Type of construction	Diaphragm pressure regulator with self-relieving design	
Medium	Compressed air, neutral gases	
Mounting position	Any IMPORTANT: The regulated pressure can be bled at the back	
Medium and ambient temperature	Max. 50°C	
Input pressure Pin	Max. 16 bar	
Internal air consumption	2.6 l/min	
Control range (output pressure)	0.1 to 1.0 bar / 0.1 to 2.0 bar / 0.2 to 4.0 bar / 0.5 to 8.0 bar / 0.5 to 10.0 bar / 0.5 to 16.0 bar	
Mounting type	Bracket, wall mounting, panel mounting	
Weight [kg]	0.256 without gauge / 0.337 with gauge	

Materials

Part	Material
Spring bonnet / adjusting knob / cover (bottom screw)	POM
Head piece	PA66 GF60
Diaphragm	Brass-NBR-PA6
Valve cone	Brass-NBR
O-ring 32x2.5	NBR
Threaded plate	Die-cast zinc

Ordering information

- The pressure regulators are delivered in single packs
- Pressure gauge included

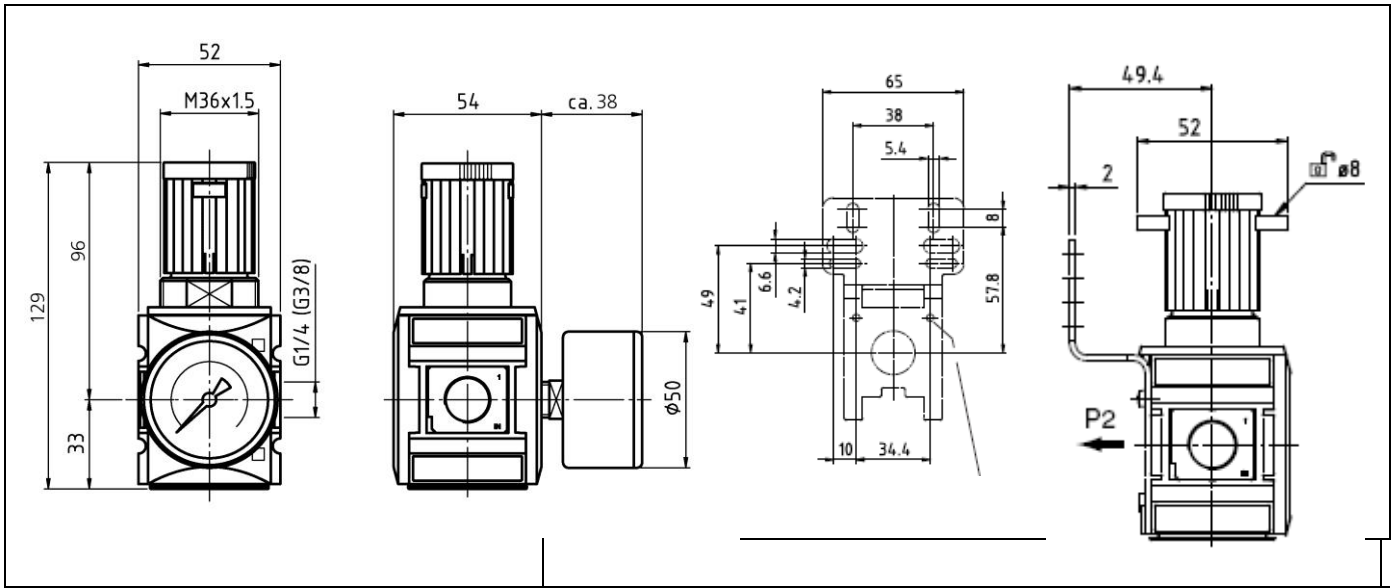
Accessories / Spare parts

Designation	Art. No.
Mounting bracket, incl. screws	H 850
Joiner set with wall bracket	WK 100
Joiner set	KP 100
Panel nut	FU 11-55
Key lock	SS 32

Accessories / Spare parts

Designation	Art. No.
Seal kit	22.7410.4
Mounting bracket with control panel nut	H 851
Wall bracket with connection thread G 1/4	WK 101-14
Wall bracket with connection thread G 3/8	WK 101-38

Dimensions

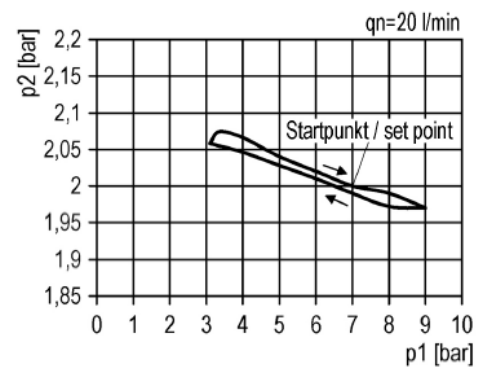
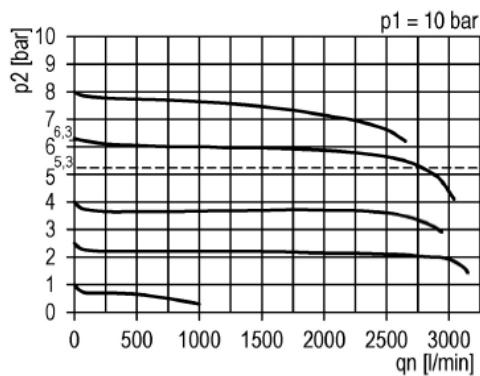
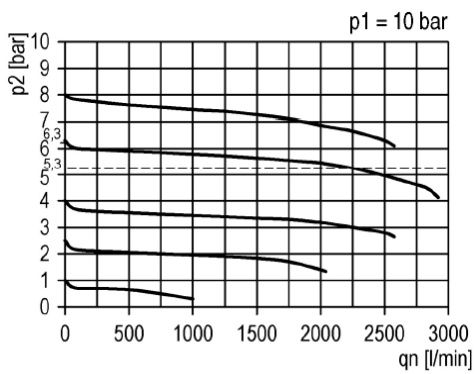


Flow rates

Flow characteristic – G 1/4

Flow characteristic – G 3/8

Hysteresis



Typical application

