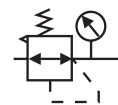


»GA« Series

GAR 11–GAR 55



Symbol



Product features

- Reversible diaphragm pressure regulators, independent of inlet pressure, with self-relieving design.
- The pressure setting can be locked by pushing the button down.

Specifications / Technical data

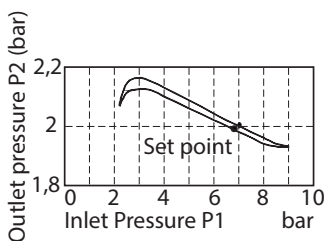
Type	Size 300			Size 400		Size 600	
	GAR 11	GAR 12	GAR 13	GAR 32	GAR 33	GAR 34	GAR 55
Fluid	Air						
Port size	1/4"	3/8"	1/2"	3/8"	1/2"	3/4"	1"
Pressure range	0.5 to 9 bar (0.05 to 0.9 MPa, 7 to 130 psi)						
Inlet pressure max.	10 bar (1.0 MPa, 145 psi)						
Temperature range	-20 to 70 °C						
Weight	300 g			570 g		1390 g	

Ordering information

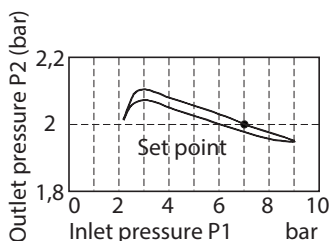
Type	description
GAR 11–GAR 55	Pressure regulators, incl. pressure gauge and »HW« mounting bracket

Pressure chart

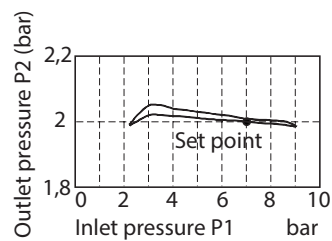
GAR 11–GAR 13



GAR 32, GAR 33

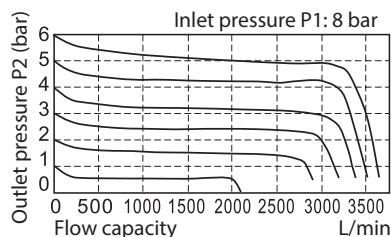


GAR 34, GAR 55

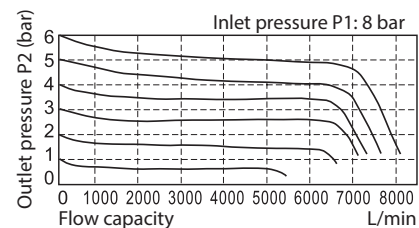


Flow chart

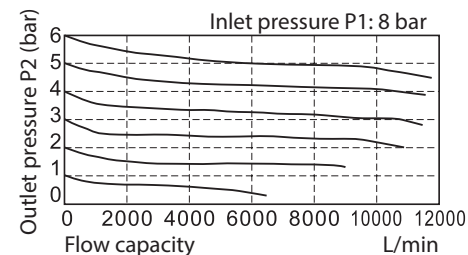
GAR 12*, GAR 13



GAR 32, GAR 33



GAR 34, GAR 55



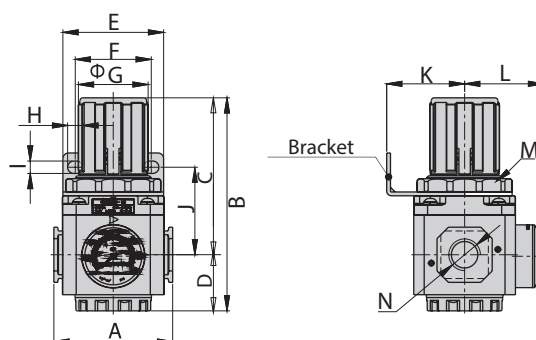
*Flow rates GAR 11 approx. 30% less

»GA« Series

GAR 11–GAR 55

Body dimensions

GAR 11–GAR 13, GAR 32, GAR 33



Art. No.	Type	A	B	C	D	E	F	G	H	I	J	K	L	M	N
178449	GAR 11	62,5	112,0	82,5	29,5	53,0	40,0	38,0	8,0	6,5	46,0	41,0	41,5	M40x1,5	1/4"
178450	GAR 12	62,5	112,0	82,5	29,5	53,0	40,0	38,0	8,0	6,5	46,0	41,0	41,5	M40x1,5	3/8"
178451	GAR 13	62,5	112,0	82,5	29,5	53,0	40,0	38,0	8,0	6,5	46,0	41,0	41,5	M40x1,5	1/2"
178452	GAR 32	80,0	140,5	104,0	36,5	72,0	55,0	52,0	11,0	8,5	53,0	50,0	49,0	M55x2,0	3/8"
178453	GAR 33	80,0	140,5	104,0	36,5	72,0	55,0	52,0	11,0	8,5	53,0	50,0	49,0	M55x2,0	1/2"
178454	GAR 34	100,0	179,5	129,0	50,5	90,0	66,0	59,0	13,0	11,0	73,5	70,0	58,0	M62x1,5	3/4"
178455	GAR 55	100,0	179,5	129,0	50,5	90,0	66,0	59,0	13,0	11,0	73,5	70,0	58,0	M62x1,5	1"

(Value in mm, exception N = inch)

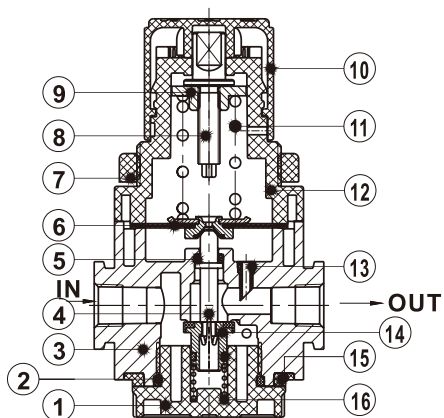
»GA« Series

GAR 11–GAR 55

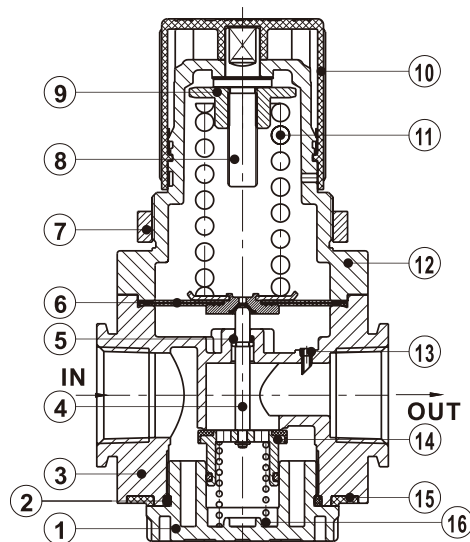
Components and materials

No.	Item	Material
1	Valve cap	Aluminum alloy
2	O-ring	NBR
3	Body	Aluminum alloy
4	Spool	Brass (GR 34, GR 55)/POM (other)
5	O-ring	NBR
6	Diaphragm	Stainless steel & Rubber
7	Fixed ring	Aluminum alloy (GR 34, GR 55)/POM (other)
8	Adjusting spindle	Steel
9	Regulator nut	Steel
10	Pressure knob	POM
11	Pressure spring	Spring steel
12	Adjusting seat	Aluminum alloy (GR 34, GR 55)/POM (other)
13	Feed back tube	POM
14	Pressure plug	Brass & Rubber
15	Bottom cover	NBR
16	Spring	spring steel

GAR 11 - 33








GAR 34, GAR 55



»GA« Series

GAR 11–GAR 55

Accessories

	For GAR 11–GAR 13		For GAR 32, GAR 33		For GAR 34, GAR 55		description
	Art. No.	Type	Art. No.	Type	Art. No.	Type	
no image available	179140	GAR 05 120	179142	GAR 32 120	179142	GAR 32 120	Adapter plate for mounting standard pressure gauges
	101672	110.46-KD	101677	206-KD	101677	206-KD	Standard pressure gauges
	116482	HW 300	116484	HW 400	116486	HW 600	Mounting bracket
	116613	UB 300	116614	UB 400	116615	UB 600	Joiner without wall mounting
	116516	LB 300	116517	LB 400	116518	LB 600	Joiner with wall mounting, 1 drilled hole
	116609	TB 300	116610	TB 400	116611	TB 600	Joiner with wall mounting, 2 drilled holes

(Pictures are similar to product.)