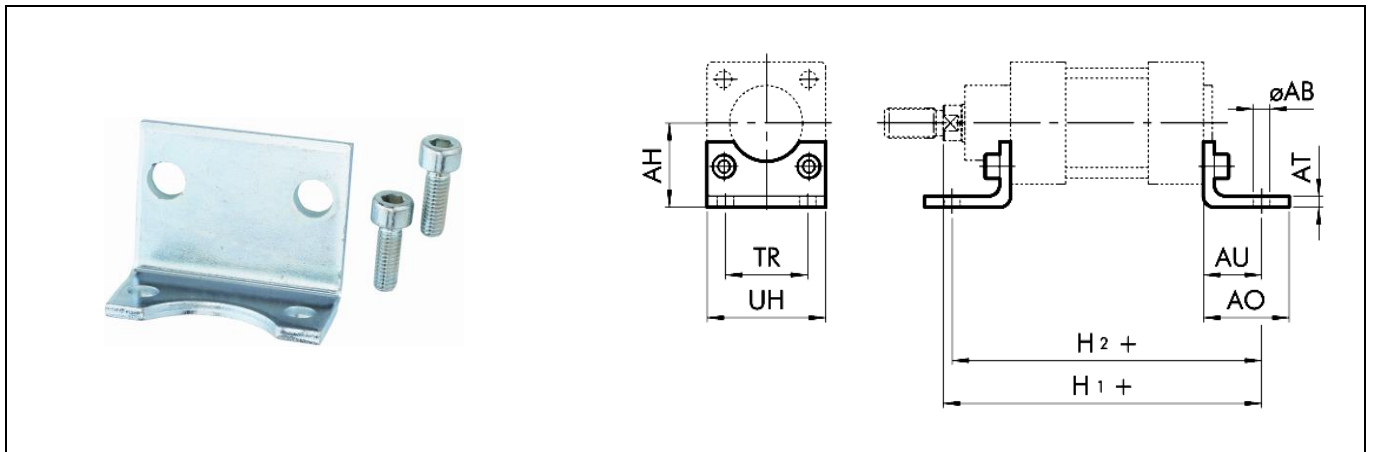


Fixing parts and accessories
Profile cylinders, type A
Foot

Material = steel

Dimensions [mm]

Art. No.	Piston Ø	AB Ø	AH	AO	AT	AU	TR	UH	H1	H2	Weight [g]
437.14-M	32	7	32	35	4	24	32	45	144	142	76
450.12-M	40	9	36	43	4	28	36	52	163	161	100
450.13-M	50	9	45	47	4	32	45	65	175	170	162
450.14-M	63	9	50	47	6	32	50	75	190	185	266
450.15-M	80	12	63	61	6	41	63	95	215	210	456
450.16-M	100	14	71	66	6	41	75	115	230	220	572
450.17-M	125	16	90	60	7	45	90	140	270	250	1130



Fixing parts and accessories

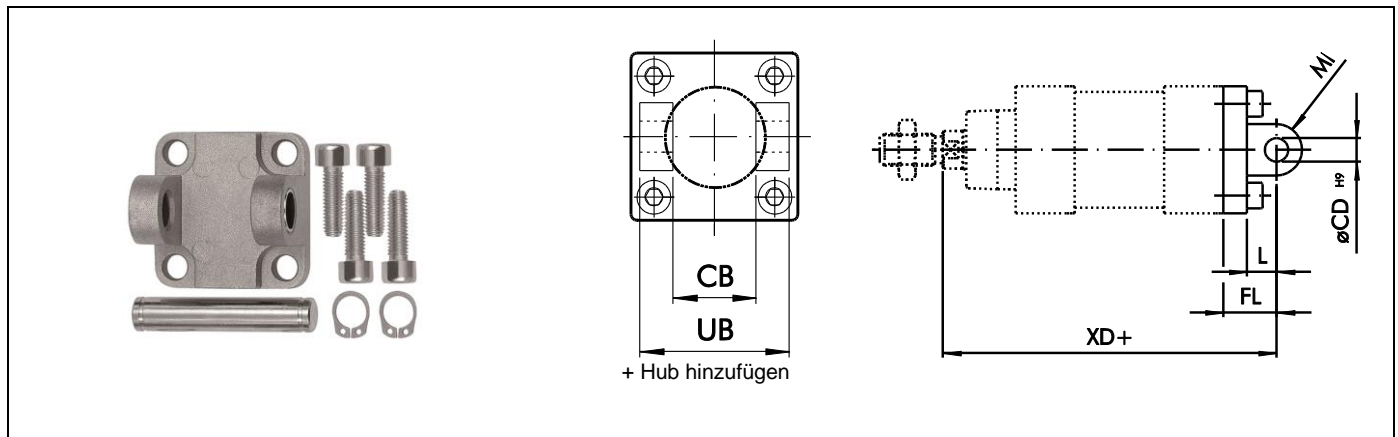
Profile cylinders, type A

②

Female hinge model

Dimensions [mm]

Art. No.	Piston Ø	UB	CB	FL	ØCD	XD	MI	L			Weight [g]
437.84-M	32	45.0	26.0	22.0	10.0	142.0	10.0	12.0			116
437.85-M	40	52.0	28.0	25.0	12.0	160.0	12.0	15.0			160
437.86-M	50	60.0	32.0	27.0	12.0	170.0	12.0	15.0			252
437.87-M	63	70.0	40.0	32.0	16.0	190.0	16.0	20.0			394
437.88-M	80	90.0	50.0	36.0	16.0	210.0	16.0	20.0			670
450.36-M	100	110.0	60.0	41.0	20.0	230.0	20.0	25.0			1085
450.37-M	125	130.0	70.0	50.0	25.0	275.0	25.0	30.0			2000



Possible combinations / counter-hinge

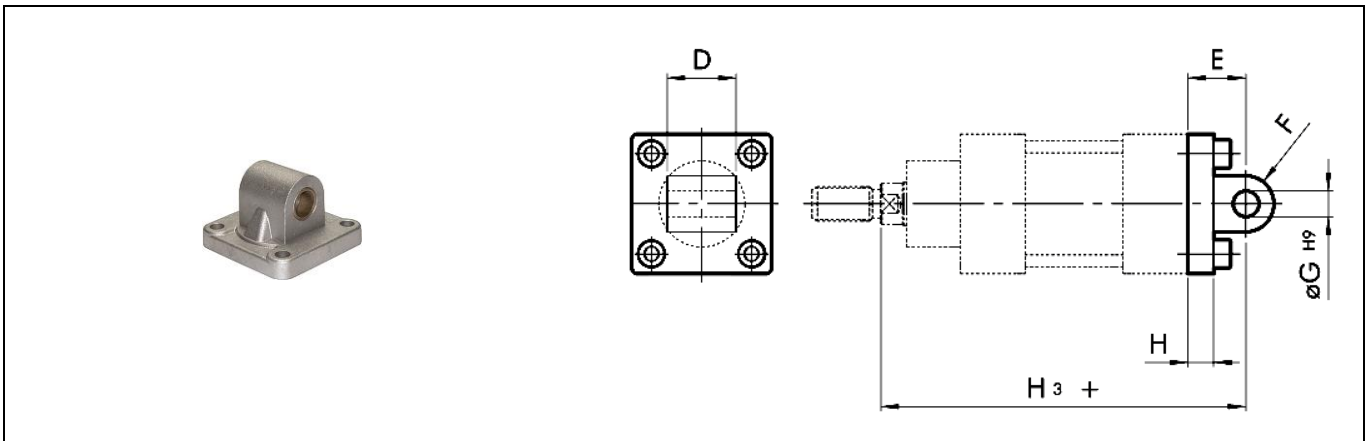
Complete standard articulated hinge

② + ③



Fixing parts and accessories
Profile cylinders, type A
③
Male hinge model
Dimensions [mm]

Art. No.	Piston Ø	D	E	F	ØG	H	H ₃				Weight [g]
450.71-M	32	26	22	11	10	10	142				94
450.72-M	40	28	25	13	12	10	160				124
450.73-M	50	32	27	13	12	12	170				220
450.74-M	63	40	32	17	16	12	190				316
450.75-M	80	50	36	17	16	16	210				578
450.76-M	100	60	41	21	20	16	230				850
450.77-M	125	70	50	26	25	20	275				1590


Possible combinations / counter-hinge
Complete standard articulated hinge
③+②


Fixing parts and accessories

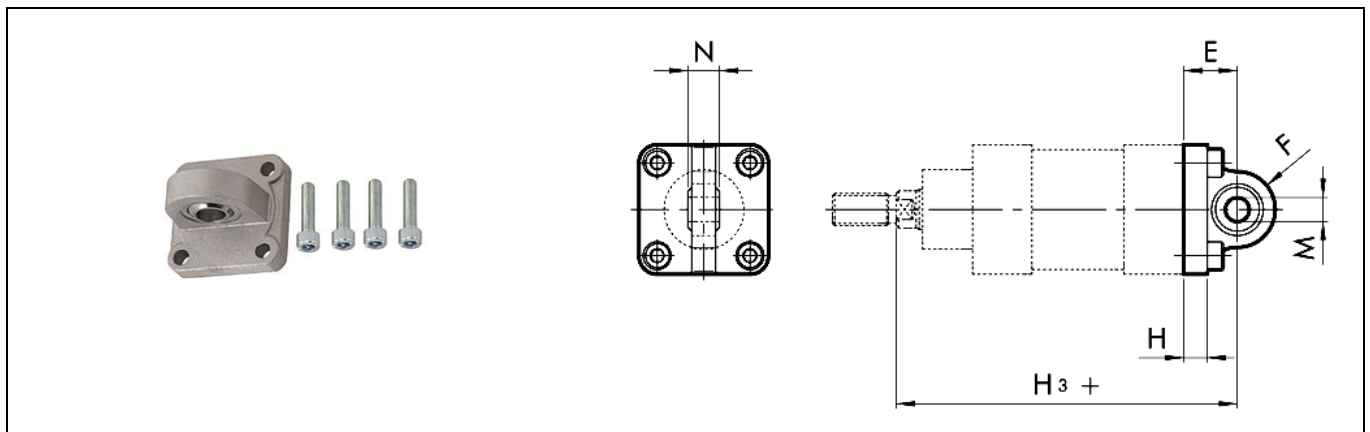
Profile cylinders, type A

④

Articulated male hinge model

Dimensions [mm]

Art. No.	Piston Ø	E	F	H	H ₃	M	N				Weight [g]
450.91-M	32	22	16	10	142	10	14				106
450.92-M	40	25	19	10	160	12	16				142
450.93-M	50	27	19	12	170	12	16				236
450.94-M	63	32	24	12	190	16	21				336
450.95-M	80	36	24	16	210	16	21				572
450.96-M	100	41	30	16	230	20	25				840
450.97-M	125	50	36	20	275	25	31				1520



Note

Cannot be used in conjunction with female hinge model ②.

Fixing parts and accessories

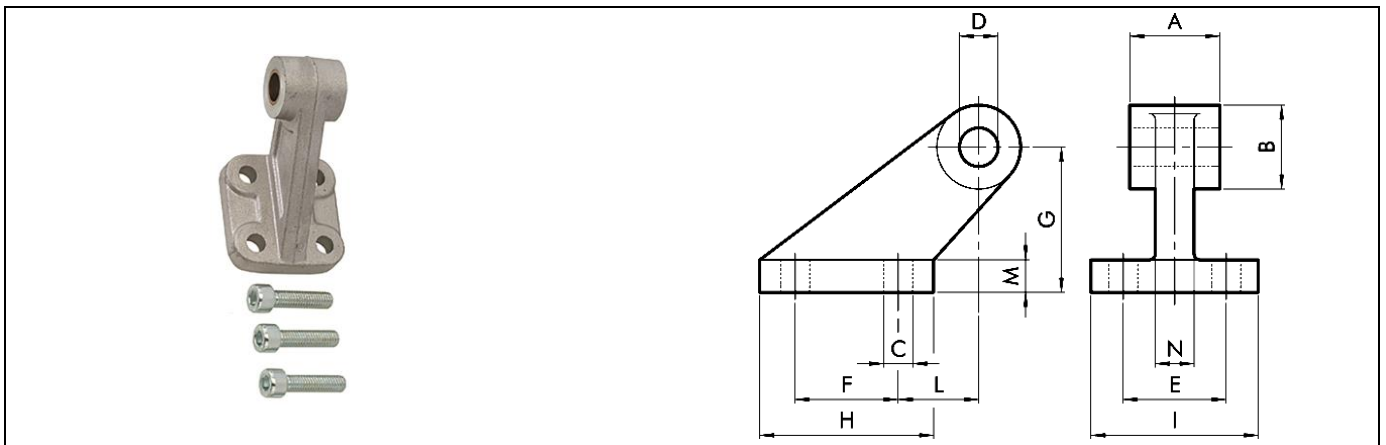
Profile cylinders, type A

⑤

 Counter-hinge
model

Dimensions [mm]

Art. No.	Piston Ø	A	B	C	D	E	F	G	H	I	L	M	N	Material	Weight [g]
437.23-M	32	26	19	7	10	25	20	32	37	41	18	8	10	aluminium	96
437.24-M	40	28	26	9	12	32	32	45	54	52	25	10	12	aluminium	216
437.25-M	50	32	26	9	12	32	32	45	54	52	25	10	12	aluminium	212
437.26-M	63	40	33	11	16	40	50	63	75	63	32	12	15	aluminium	440
437.27-M	80	50	33	11	16	40	50	63	75	63	32	12	15	aluminium	464
450.260-M	100	60	44	14	20	50	70	90	103	80	40	16	22	aluminium	985
450.270-M	125	70	44	14	25	50	70	90	103	80	40	16	22	aluminium	1000



Possible combinations / counter-hinge

Complete articulated elbow hinge

⑤+②



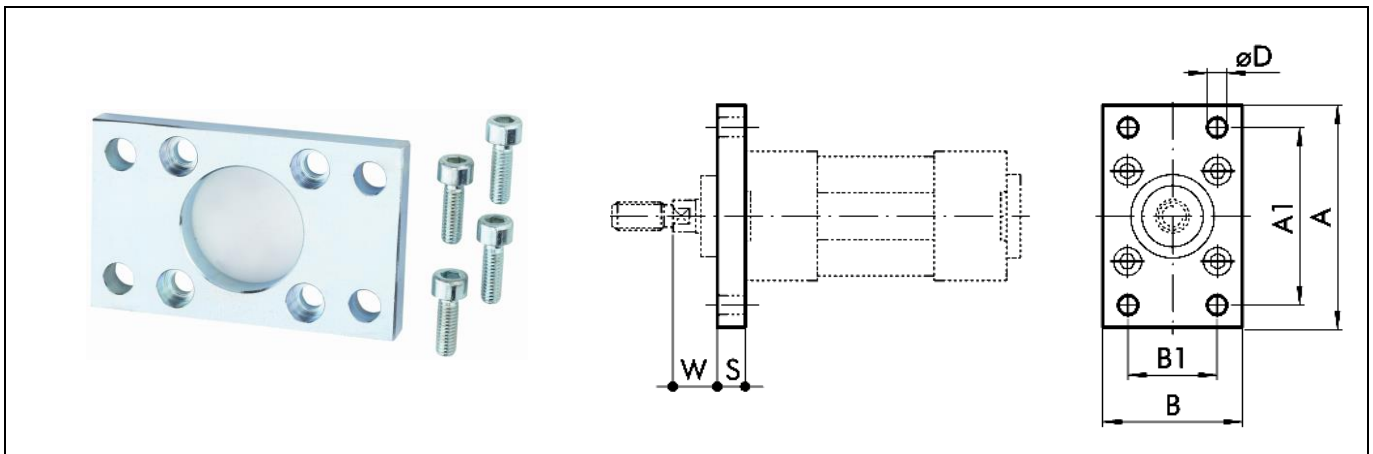
Fixing parts and accessories

Profile cylinders, type A

Front / rear flange

Dimensions [mm]

Art. No.	Piston \varnothing	A ₁	A	B	S	B ₁	$\varnothing D_4$	W!		Material	Weight [g]
437.04-M	32	64	80	50	10	32	7	16		steel	246
450.020-M	40	72	90	55	10	36	9	20		steel	290
450.030-M	50	90	110	65	12	45	9	25		steel	522
450.040-M	63	100	120	75	12	50	9	25		steel	670
450.050-M	80	126	153	95	16	63	12	30		steel	1420
450.060-M	100	150	178	115	16	75	14	35		steel	2040
450.070-M	125	180	220	140	20	90	16	45		steel	4300



Ordering information

Art. No.	Ident No.
437.14-M	106125
450.12-M	106126
450.13-M	106127
450.14-M	106128
450.15-M	106129
450.16-M	106130
450.17-M	106269
437.84-M	106131
437.85-M	106132
437.86-M	106133
437.87-M	106134
437.88-M	106135
450.36-M	106136
450.37-M	106270
437.23-M	106137
437.24-M	106138
437.25-M	106139
437.26-M	106140
437.27-M	106141
450.260-M	106142
450.270-M	106271
450.71-M	106145
450.72-M	106146
450.73-M	106147
450.74-M	106148
450.75-M	106149
450.76-M	106150
450.77-M	106272
450.91-M	106151
450.92-M	106152
450.93-M	106153
450.94-M	106154
450.95-M	106155
450.96-M	106156
450.97-M	106273
437.04-M	106159
450.020-M	106160
450.030-M	106161
450.040-M	106162
450.050-M	106163
450.060-M	106164
450.070-M	106274