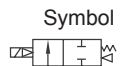




»Stainless steel type

MV 1541 ES–MV 1553 ES



Product features

- Media valve for shutting off gaseous or liquid media that are compatible with the materials used.
- The valves require a minimum working pressure.
- A compact design, easy installation and short response times are typical features of this modern valve concept.
- Any mounting position.
- The high-quality materials used for the valves and extensive testing guarantee a long service life.

Valve's specification

Acting	Internally piloted				
Initial status	Normally closed				
Adaptable fluid	Air, Water, Oil				
Viscosity limit	Under 20 CST (mm ² /s)				
Ambient and fluid temperature (°C)		Water	Air	Oil	Ambient
	Max.	80	90	80	70
	Min.	1	-20 ¹⁾	-10 ²⁾	-20

¹⁾ Dew point: -20 (°C) or less;

²⁾ 50 CST or less.

Specifications / Technical data

Art. No.	Power type	Port size	Nominal width (mm)	Cv	Weight (g)	Operating pressure difference		Proof pressure	
						bar	psi	bar	psi
MV 1541 ES	230 V AC, 50 Hz	1/2"	15.0	5.5	675	Max. 10 Min. 0.5	Max. 150 Min. 10	15	220
MV 1542 ES		3/4"	20.0	9.5	875				
MV 1543 ES		1"	25.0	12.5	1120				
MV 1551 ES	24 V DC	1/2"	15.0	5.5	675	Max. 10 Min. 0.5	Max. 150 Min. 10	15	220
MV 1552 ES		3/4"	20.0	9.5	875				
MV 1553 ES		1"	25.0	12.5	1120				

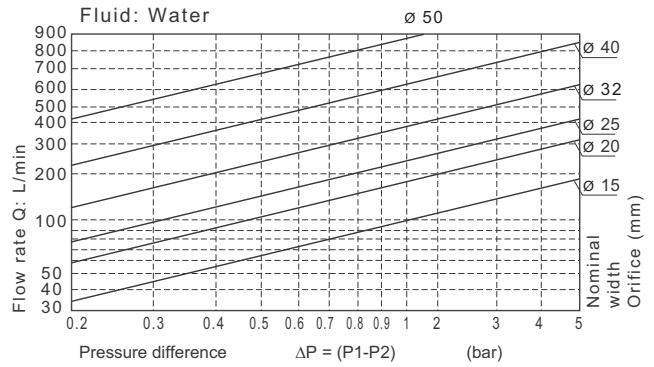
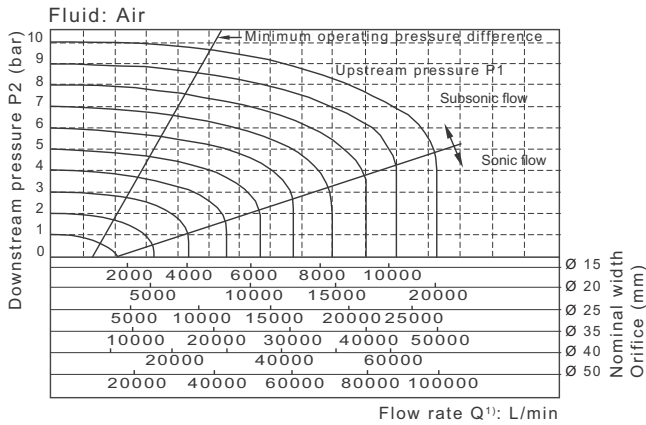
Ordering information

Art. No.	Type
MV 1541 ES–MV 1543 ES	Normally closed, (NC), pilot-operated, 230 V, 50 Hz
MV 1551 ES–MV 1553 ES	Normally closed, (NC), pilot-operated, 24 V DC

»Stainless steel type

MV 1541 ES–MV 1553 ES

Flow chart

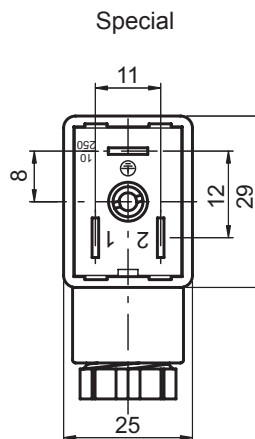


¹⁾ Flow rates are based on standard conditions (temperature 20 °C, ambient pressure 1013 mbar, relative air humidity 65%)

Specification of coil

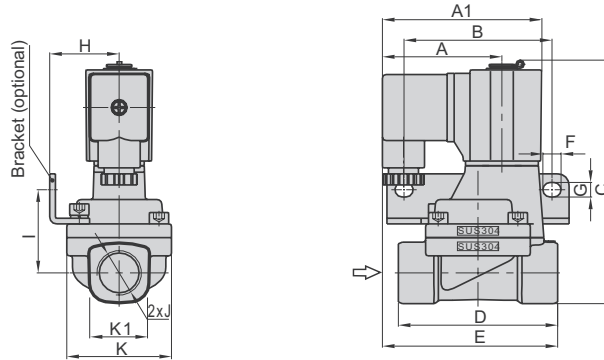
Art. No.	Coil type	Power type ¹⁾	Frequency (Hz) ¹⁾	Voltage range	Electrical entry	Power consumption (VA/W)	Insulation/ protection	Temp. rise (°C)	Connector socket
MV 1541– MV 1543	CDA116	230 V AC	50	±15%	Terminal (CDA)	10.0 VA	Class B IP65	35	Special (similar to form B)
MV 1551– MV 1553		24 V DC	-	±10%		6.5 W		30	

¹⁾ Other voltage or frequency on request.



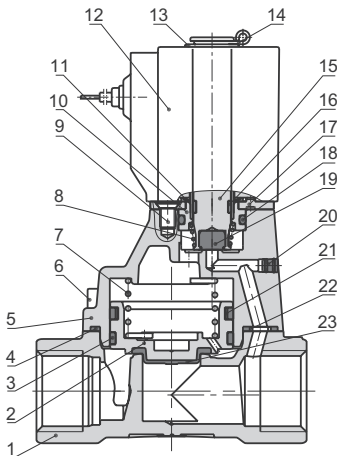
»Stainless steel type

MV 1541 ES–MV 1553 ES

Dimensions


Art. No.	A	A1	B	C	D	E	F	G	H	I	J	K	K1
MV 1541 ES	52.5	70	65	107	70	77	8	6.4	30.5	36.5	1/2"	46	27.5
MV 1542 ES	52.5	70	75	115.4	82	78.5	8	6.4	34	40	3/4"	53	33.5
MV 1543 ES	52.5	70	80	124	92	81	8	6.4	36	44.5	1"	59	40.5
MV 1551 ES	52.5	70	65	107	70	77	8	6.4	30.5	36.5	1/2"	46	27.5
MV 1552 ES	52.5	70	75	115.4	82	78.5	8	6.4	34	40	3/4"	53	33.5
MV 1553 ES	52.5	70	80	124	92	81	8	6.4	36	44.5	1"	59	40.5

(Values in mm)

Components and materials


No.	Item	Material
1	Body	Stainless steel
2	Filter	Stainless steel
3	Piston	Stainless steel
4	Piston ring	Wear resistant material
5	Gasket	FPM
6	Cover	Stainless steel
7	Screw	Stainless steel
8	Spring	Stainless steel
9	Spring	Stainless steel
10	Screw	Steel
11	Fixed cap	Stainless steel
12	Spring washer	Steel
13	Coil	
14	Distance washer	Steel
15	Clip	Steel
16	Movable Core	Stainless steel
17	Wear ring	Plastic
18	Fixed plate	Steel
19	O-ring	FPM
20	Gasket	FPM
21	Lock pin	Stainless steel
22	Radial spring ring	Stainless steel
23	Sealing	FPM