



Filter 40 bar
 Sizes 2 and 3

680.21 to 680.24
 G 1/8 to G 3

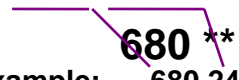
50 µm

Characteristics

Type	680.21	680.22
Port	G 3/8 (red.)	G 1/2
Size	2	2
Usable bowl capacity	60 cm ³	60 cm ³
Weight [g]	1250	1220
Type	680.23	680.24
Port	G 3/4 (red.)	G 1
Size	3	3
Usable bowl capacity	100 cm ³	100 cm ³
Weight [g]	1990	1880
Type of construction	Centrifugal filter Sintered filter element	
Input pressure p1	Max. 40 bar	
Mounting position	Vertical, drain plug at bottom	
Mounting type	Bracket	
Medium temperature	Max. 60°C	
Ambient temperature	Max. 90°C	
Filter rating	50 µm	
Condensate drain	Manual	

Ordering information

Type Port



Order example: 680.24

Port	
21	G 3/8 (red.)
22	G 1/2
23	G 3/4 (red.)
24	G 1

Description

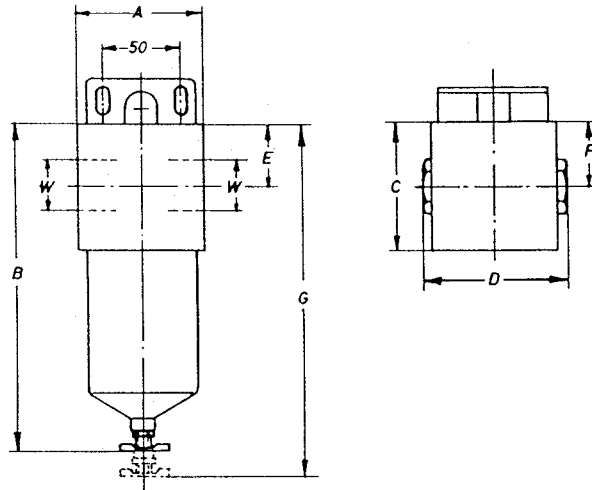
- Block design
- Flow direction indicated by arrows
- **Entry in direction of arrow**
- Filter rating 50 µm
- **Pressure vessel certificate enclosed**

Important

If the version with an **automatic drain** is used, the maximum permissible pressure is reduced to **16 bar!**

Materials

Part	Material
Head piece (body)	Al
Filter element	Bronze
Condensate bowl	Brass
O-rings	NBR



Dimensions [mm]

Port	Size	Dimensions						
		A	B	C	T	E	F	G
G 3/8 (red.)	2	65	194	65	73	32,5	32,5	161,5
G 1/2	2	65	194	65	-	32,5	32,5	161,5
G 3/4 (red.)	3	80	205	80	92	40,0	40,0	165,0
G 1	3	80	205	80	-	40,0	40,0	165,0

Accessories

Size	Designation	Order No.
2	Mounting bracket	ZW 68-1
	Bowl, complete - brass	680/12
	Filter element	811.6.950
3	Mounting bracket	H 24-B
	Bowl, complete - brass	680/13
	Filter element	655.6.950

Flow rates

Flow rates measured under normal conditions
Filter rating 50 µm

Output pressure p_2	Port	Size	1	2,5	4	6	10	16	25	40
Nominal flow ($\Delta p = 1$ bar) QN m ³ /h	G 3/8	2	115	135	150	160	180	200	215	235
	G 1/2	2								
	G 3/4	3	160	175	190	200	220	240	260	280
	G 1	3								